

This drawing applies to:

C12597\_LENINA-S

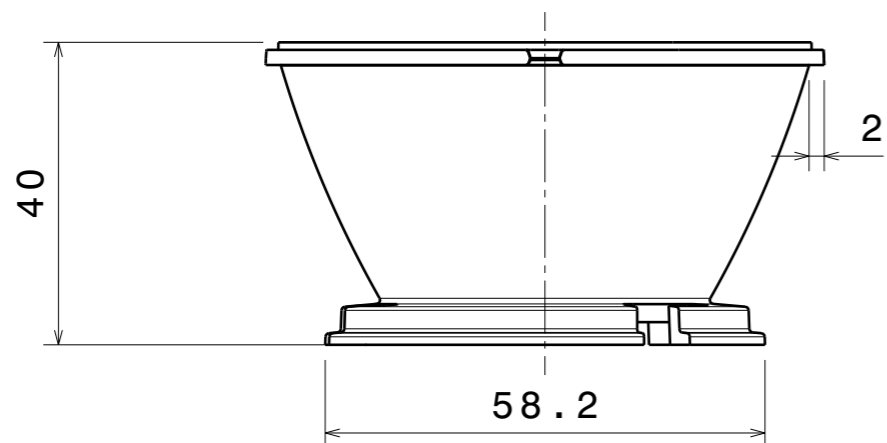
C12598\_LENINA-M

C12599\_LENINA-W

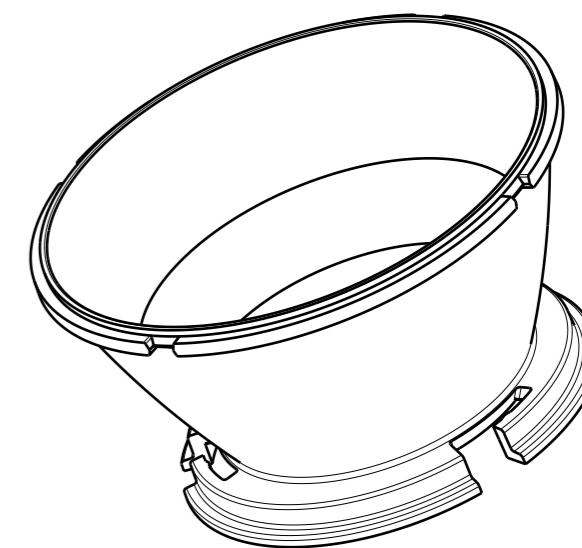
C12958\_LENINA-XW

DATE

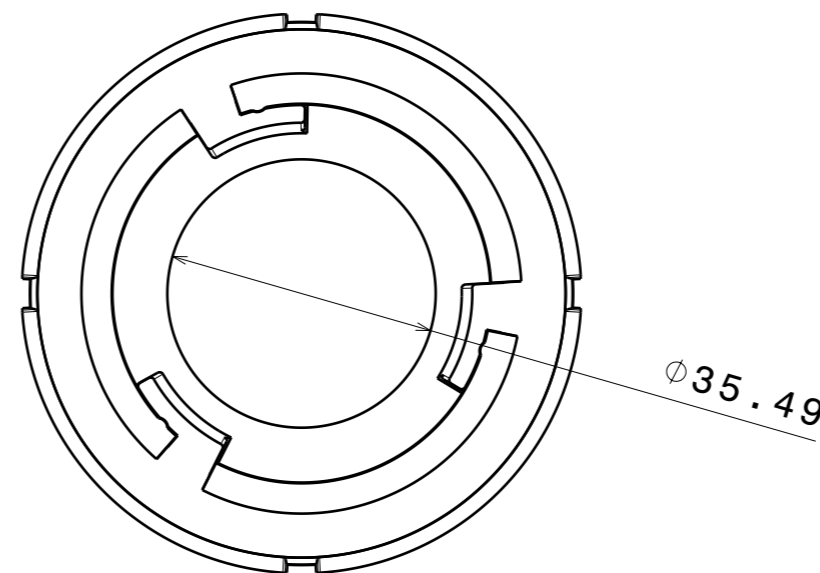
18.02.2019



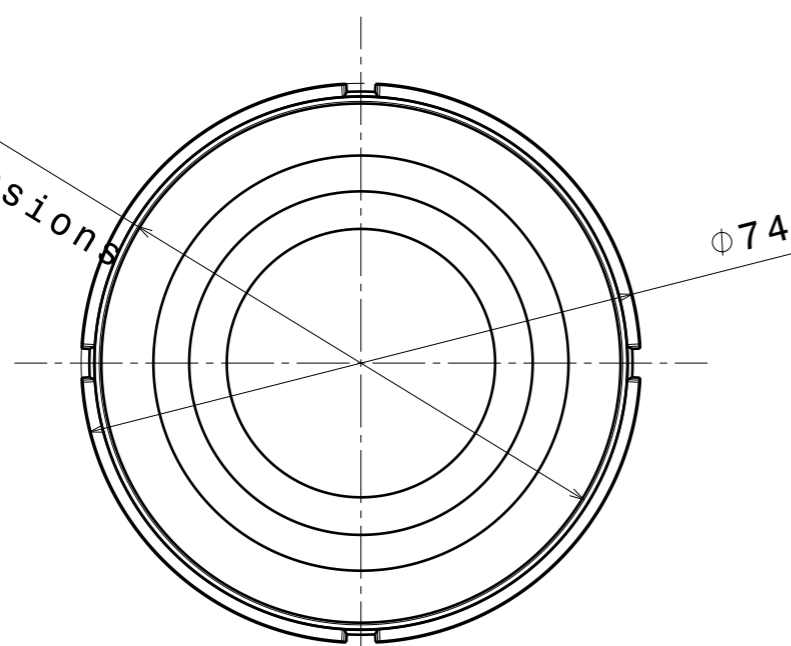
Front view



Isometric view



Bottom view



Top view

varies between versions  
( $\phi 69.22$ )

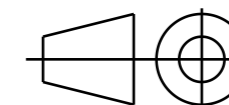
PART	TYPE	MATERIAL	COLOR / COATING
LENINA-SERIES_mechanical model		PC	metal

**MECHANICAL DRAWING**

PRODUCT  
**LENINA**

Plastic moulding general tolerances according to DIN 16901-130 and applies if not otherwise shown in the drawing.  
Silicone moulding general tolerances according to ISO 3302-1 Class M3 and applies if not otherwise shown in the drawing.

FIRST ANGLE PROJECTION:



**LEDiL**®

This drawing is the property of LEDiL Oy. It may not be copied or otherwise distributed without prior written permission from LEDiL Oy.

SCALE 1:1

WEIGHT -

A3 SHEET 1/1